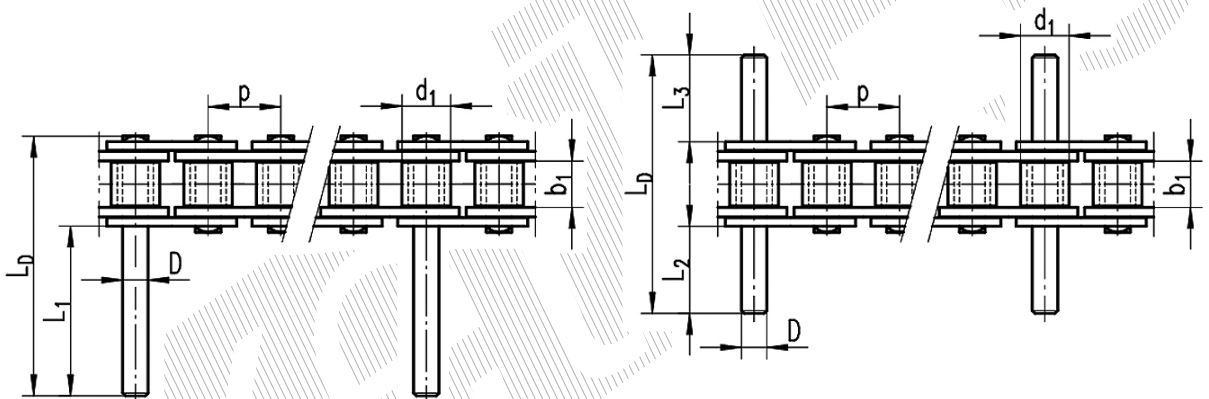


### KETTENRADMASSE:

DIN	Handels- bezeichnung [p x b <sub>1</sub> ]	p [mm]	b <sub>1</sub> min. [mm]	d <sub>1</sub> max. [mm]
04	6 x 2,8	6	2,8	4
05B-1	8 x 3	8	3	5
06B-1	3/8" x 7/32"	9,525	5,72	6,35
08B-1	1/2" x 5/16"	12,7	7,75	8,51
10B-1	5/8" x 3/8"	15,875	9,65	10,16
12B-1	3/4" x 7/16"	19,05	11,68	12,07
16B-1	1" x 17,02	25,40	17,02	15,88
20B-1	1 1/4" x 3/4"	31,75	19,56	19,05
24B-1	1 1/2" x 1"	38,10	25,40	25,40

### BOLZENMASSE:

D h9 [mm]	L <sub>1</sub> max. [mm]	L <sub>2</sub> max. [mm]	L <sub>3</sub> max. [mm]	L <sub>D</sub> max. [mm]
1,85	6,60	3,50	-	12,70
2,31	6,30	3,50	-	14,30
3,28	11,00	5,90	-	23,10
4,45	15,30	7,90	-	30,70
5,08	18,20	9,30	-	36,20
5,72	21,00	10,90	-	41,80
8,28	33,60	17,60	-	67,50
10,19	38,60	20,00	-	78,00
14,63	50,50	26,00	-	101,30



### KETTENRADMASSE:

DIN	Handels- bezeichnung [p x b <sub>1</sub> ]	p [mm]	b <sub>1</sub> min. [mm]	d <sub>1</sub> max. [mm]
04	6 x 2,8	6	2,8	4
05B-1	8 x 3	8	3	5
06B-1	3/8" x 7/32"	9,525	5,72	6,35
08B-1	1/2" x 5/16"	12,7	7,75	8,51
10B-1	5/8" x 3/8"	15,875	9,65	10,16
12B-1	3/4" x 7/16"	19,05	11,68	12,07
16B-1	1" x 17,02	25,4	17,02	15,88
20B-1	1 1/4" x 3/4"	31,75	19,56	19,05
24B-1	1 1/2" x 1"	38,1	25,4	25,4

### BOLZENMASSE:

D h9 [mm]	L <sub>1</sub> max. [mm]	L <sub>2</sub> max. [mm]	L <sub>3</sub> max. [mm]	L <sub>T</sub> max. [mm]
1,85	-	-	-	-
2,31	12,20	6,30	-	19,90
3,28	21,60	11,00	-	33,70
4,45	29,50	15,30	-	44,90
5,08	34,80	17,80	-	52,80
5,72	40,50	20,60	-	61,30
8,28	65,40	33,60	-	99,30
10,19	75,30	38,50	-	114,70
14,63	98,70	50,30	-	149,50