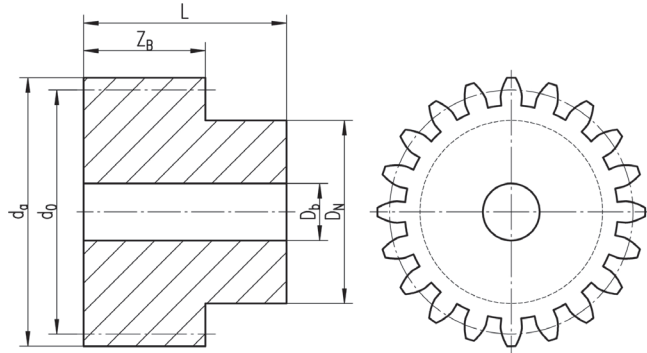


Eingriffswinkel 20°

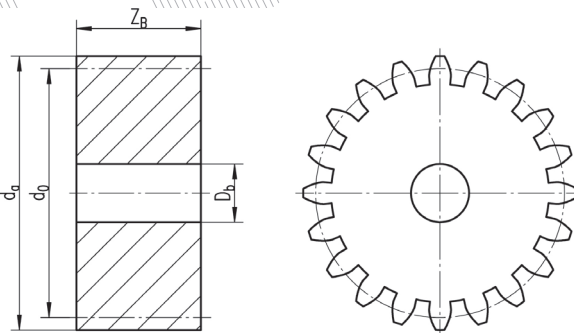
Z_B L
17 30



STIRNRAD MIT NABE

| z | d_a | d_0 | D_N | D_b |
|-----|-------|-------|-------|-------|
| 12 | 21,0 | 18,0 | 14 | 8 |
| 13 | 22,5 | 19,5 | 15 | 8 |
| 14 | 24,0 | 21,0 | 17 | 8 |
| 15 | 25,5 | 22,5 | 18 | 8 |
| 16 | 27,0 | 24,0 | 19 | 8 |
| 17 | 28,5 | 25,5 | 20 | 8 |
| 18 | 30,0 | 27,0 | 20 | 8 |
| 19 | 31,5 | 28,5 | 20 | 8 |
| 20 | 33,0 | 30,0 | 25 | 8 |
| 21 | 34,5 | 31,5 | 25 | 10 |
| 22 | 36,0 | 33,0 | 25 | 10 |
| 23 | 37,5 | 34,5 | 25 | 10 |
| 24 | 39,0 | 36,0 | 25 | 10 |
| 25 | 40,5 | 37,5 | 25 | 10 |
| 26 | 42,0 | 39,0 | 30 | 12 |
| 27 | 43,5 | 40,5 | 30 | 12 |
| 28 | 45,0 | 42,0 | 30 | 12 |
| 29 | 46,5 | 43,5 | 30 | 12 |
| 30 | 48,0 | 45,0 | 30 | 12 |
| 31 | 49,5 | 46,5 | 35 | 12 |
| 32 | 51,0 | 48,0 | 35 | 12 |
| 33 | 52,5 | 49,5 | 35 | 12 |
| 34 | 54,0 | 51,0 | 35 | 12 |
| 35 | 55,5 | 52,5 | 35 | 12 |
| 36 | 57,0 | 54,0 | 35 | 12 |
| 37 | 58,5 | 55,5 | 40 | 12 |
| 38 | 60,0 | 57,0 | 40 | 12 |
| 39 | 61,5 | 58,5 | 40 | 12 |
| 40 | 63,0 | 60,0 | 40 | 12 |
| 41 | 64,5 | 61,5 | 40 | 12 |
| 42 | 66,0 | 63,0 | 50 | 12 |
| 43 | 67,5 | 64,5 | 50 | 12 |
| 44 | 69,0 | 66,0 | 50 | 12 |
| 45 | 70,5 | 67,5 | 50 | 12 |
| 46 | 72,0 | 69,0 | 50 | 14 |
| 47 | 73,5 | 70,5 | 50 | 14 |
| 48 | 75,0 | 72,0 | 50 | 14 |
| 49 | 76,5 | 73,5 | 50 | 14 |
| 50 | 78,0 | 75,0 | 50 | 14 |
| 51 | 79,5 | 76,5 | 60 | 14 |
| 52 | 81,0 | 78,0 | 60 | 14 |
| 53 | 82,5 | 79,5 | 60 | 14 |
| 54 | 84,0 | 81,0 | 60 | 14 |
| 55 | 85,5 | 82,5 | 60 | 14 |
| 56 | 87,0 | 84,0 | 60 | 16 |
| 57 | 88,5 | 85,5 | 60 | 16 |
| 58 | 90,0 | 87,0 | 60 | 16 |

| z | d_a | d_0 | D_N | D_b |
|-----|-------|-------|-------|-------|
| 60 | 93,0 | 90,0 | 60 | 16 |
| 61 | 94,5 | 91,5 | 70 | 16 |
| 62 | 96,0 | 93,0 | 70 | 16 |
| 63 | 97,5 | 94,5 | 70 | 16 |
| 64 | 99,0 | 96,0 | 70 | 16 |
| 65 | 100,5 | 97,5 | 70 | 16 |
| 66 | 102,0 | 99,0 | 70 | 16 |
| 67 | 103,5 | 100,5 | 70 | 16 |
| 68 | 105,0 | 102,0 | 70 | 16 |
| 69 | 106,5 | 103,5 | 70 | 16 |
| 70 | 108,0 | 105,0 | 70 | 16 |



STIRNRADSCHEIBE OHNE NABE

| z | d_a | d_0 | D_N | D_b |
|-----|-------|-------|-------|-------|
| 72 | 111,0 | 108,0 | | 16 |
| 75 | 115,5 | 112,5 | | 16 |
| 76 | 117,0 | 114,0 | | 16 |
| 80 | 123,0 | 120,0 | | 16 |
| 85 | 130,5 | 127,5 | | 16 |
| 90 | 138,0 | 135,0 | | 16 |
| 95 | 145,5 | 142,5 | | 16 |
| 100 | 153,0 | 150,0 | | 16 |
| 110 | 168,0 | 165,0 | | 16 |
| 114 | 174,0 | 171,0 | | 16 |
| 120 | 183,0 | 180,0 | | 16 |
| 127 | 193,5 | 190,5 | | 16 |